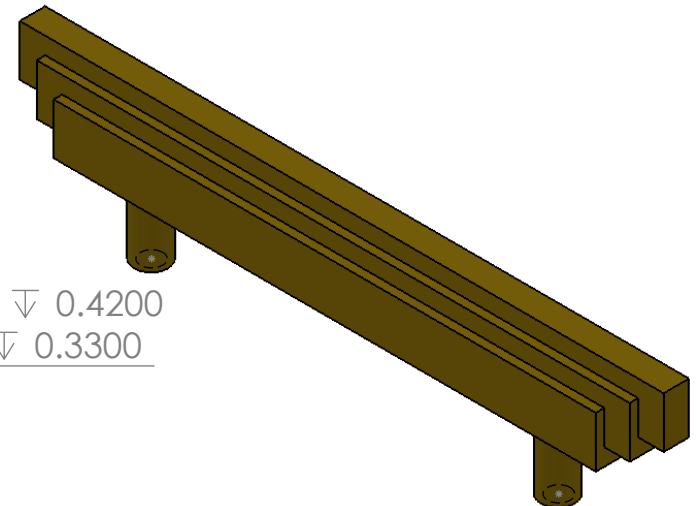



2 x $\phi 0.1360 \nabla 0.4200$
8-32 UNC $\nabla 0.3300$



TITLE: 3" CTC Cabinet Pull		 DWG. NO. 1545a REV 1	
Project:			
Customer: Al-Bar		SCALE: 1:1	
Material: Brass		SHEET 1 OF 1	
Finish: unfinished			

NAME	DATE
DRAWN Jeff C.	8/12/08
CHECKED	
ENG APPR.	
MFG APPR.	
Q.A.	

THE INFORMATION CONTAINED IN THIS DRAWING IS THE SOLE PROPERTY OF AL BAR WILMETTE PLATERS. ANY REPRODUCTION IN PART OR AS A WHOLE WITHOUT THE WRITTEN PERMISSION OF AL BAR WILMETTE PLATERS IS PROHIBITED.