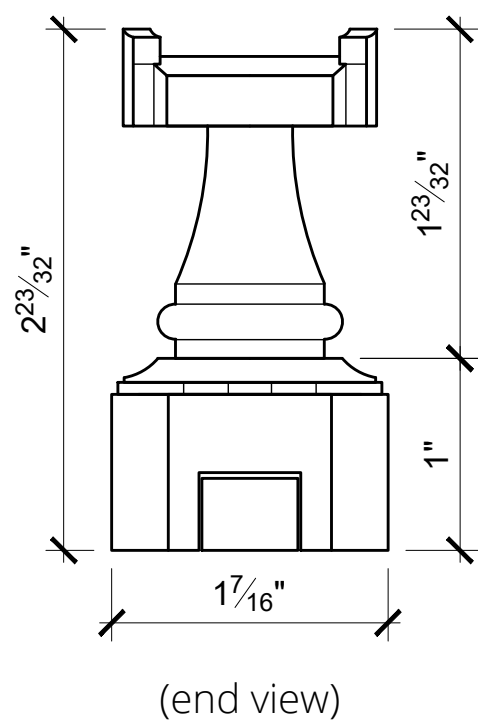
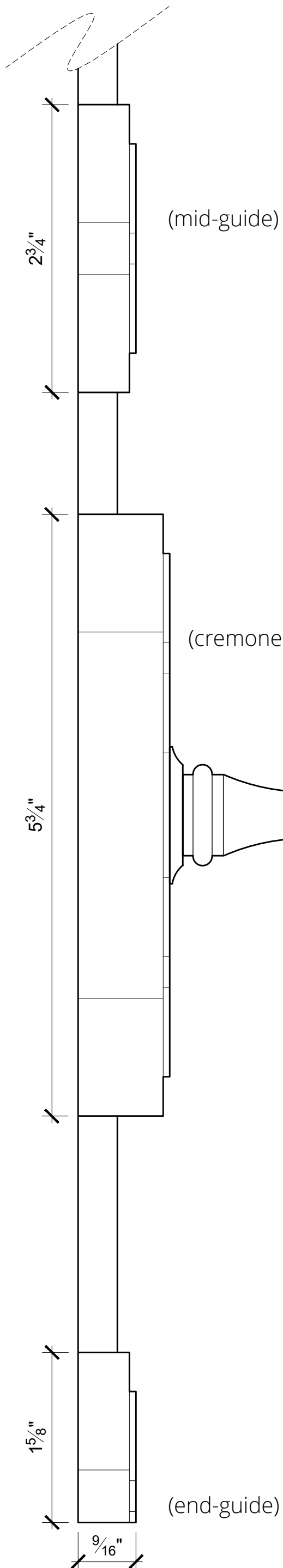




GREER CREMONE W/ AMERICUS KNOB



$\frac{3}{8}$ " X $\frac{1}{2}$ " rectangular rod

